

# Esotan MKII

Aftermarket Car Loudspeaker System



**DYNAUDIO**

**It's  
Sound  
That  
Drives  
You**





Chances are you spend a lot of time sitting in your car, and chances are you listen to music while you do it. We don't believe you should have to compromise on sound quality – especially when you might spend more time listening to music on the road than you do at home.

We've built a dedicated automotive research-and-development centre to explore new technologies (and adapt our tried-and-tested ones) specifically for use in cars. That means you can experience top-quality Dynaudio sound wherever you go.

Since the late 1970s Dynaudio has been a major influence within premium loudspeakers – continuously pushing the envelope to create better loudspeakers for the living room, the professional studio and the car.

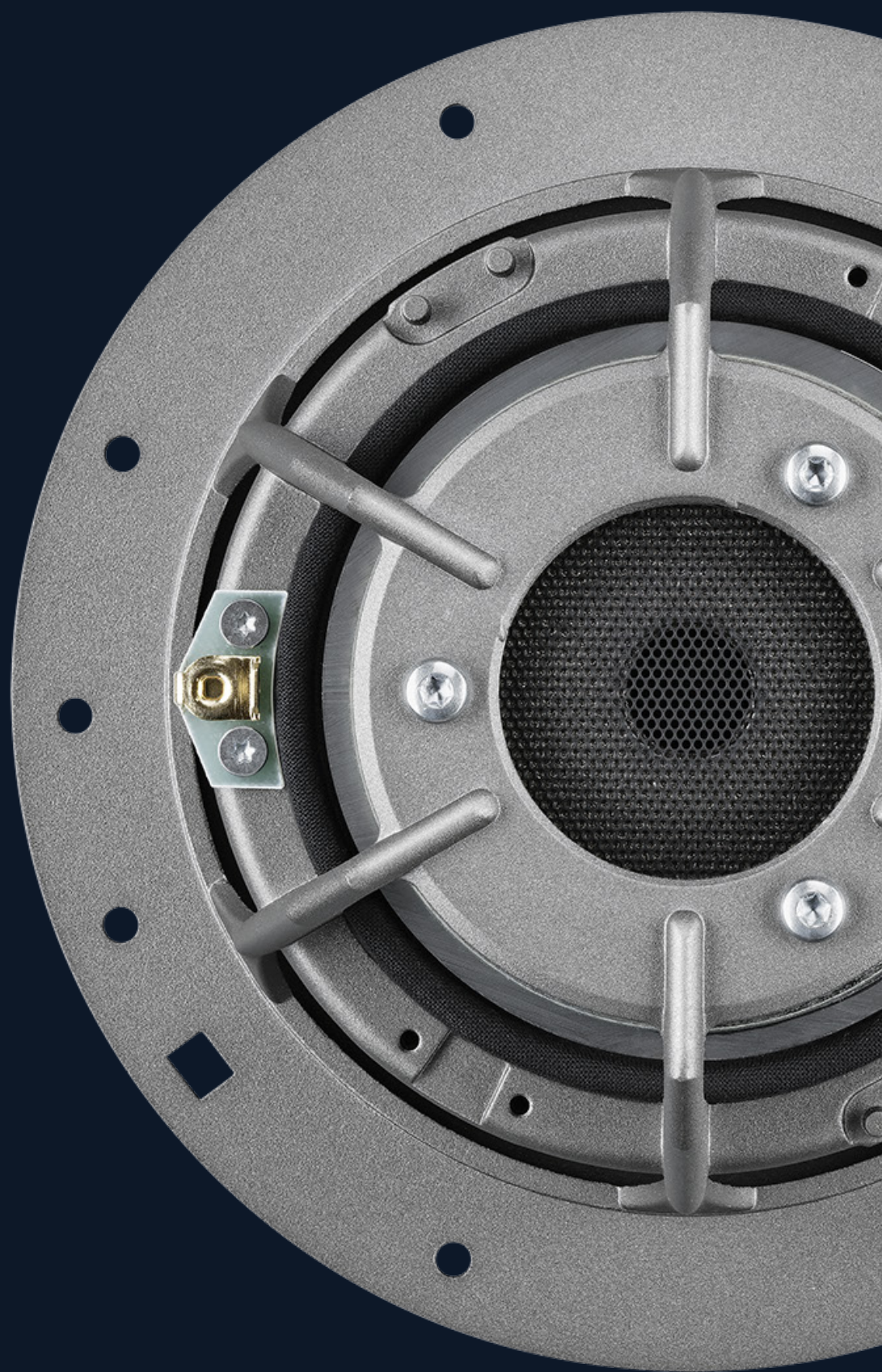
That's why we have our own R&D team dedicated to making 'outstanding' the norm when it comes to our in-car systems. It couldn't be anything less: our automotive partners, like us, never just settle for 'simply decent'.

We want you to feel more relaxed when you get out of your car than you were when you got in. We've combined the knowledge we've gained from designing and producing nearfield reference systems for recording studios (where the engineer sits really close to the speakers), with our expertise in building award-winning home hi-fi speakers. Why those two areas? Because you sit close to your speakers in the car... and you want the same music experience you get in your living room.

# High Performance Audio

Dynaudio's advanced automotive technology is borne out of decades of intense research and development mated to the high standards of production – and, of course, our never-ending pursuit of the musical truth.

Our Esotan automotive loudspeakers are specifically engineered for optimum performance in vehicles to ensure the most precise in-car music reproduction possible. And because they share the same DNA as our high-end home and pro-studio speakers, their performance is every bit as fanatical about uncovering that truth.





# Esotan 372 MKII

## 3-way component system

**Diameter:** 165mm/6.5"

**Mounting depth:** 67mm/2.4"

**Frequency response:** 50Hz-20kHz

**Adjustable tweeter level:** 0, -2dB

**Adjustable medium level:** 0, +2dB

**Power rating (MRS/Max.):** 150W/400W

**Sensitivity (2V/1m):** 86dB

**Impedance:** 4Ω

**Aluminium tweeter case**

**Aluminium midrange and woofer basket**

**Mounting hardware include**

**Supplied without woofer grille**



# Esotan 272 MKII

## 2-way component system

**Diameter:** 165mm/6.5"

**Mounting depth:** 67mm/2.4"

**Frequency response:** 50Hz-20kHz

**Adjustable tweeter level:** 0, -2dB, +2dB

**Power rating (MRS/Max.):** 150W/400W

**Sensitivity (2V/1m):** 86dB

**Impedance:** 4Ω

**Aluminium tweeter case**

**Aluminium woofer basket**

**Mounting hardware include**

**Supplied without woofer grille**



# Esotan 236 MKII

## 2-way component system

**Diameter:** 165mm/6.5"

**Mounting depth:** 67mm/2.4"

**Frequency response:** 60Hz-20kHz

**Ajustable tweeter level:** 0, -2dB, +2dB

**Power rating (MRS/Max.):** 80W/160W

**Sensitivity (2V/1m):** 89dB

**Impedance:** 4Ω

**High sensitivity**

**Special finish**

**Aluminium woofer basket**

**Mounting hardware include**

**Supplied without woofer grille**



- MF136 165mm MSP woofer  
30mm aluminium voice coil  
Aluminium basket  
Special finish  
One-piece cone

- X236 audiophile crossover  
Adjustable tweeter level

- MT136 28mm coated textile dome tweeter  
Neodymium magnet  
Removable case  
Special finish



# Esotan 232 MKII

## 2-way component system

**Diameter:** 165mm/6.5"

**Mounting depth:** 67mm/2.4"

**Frequency response:** 60Hz-20kHz

**Adjustable tweeter level:** 0, -2dB, +2dB

**Power rating (MRS/Max.):** 60W/120W

**Sensitivity (2V/1m):** 86dB

**Impedance:** 4Ω

**Aluminium woofer basket**

**Mounting hardware include**

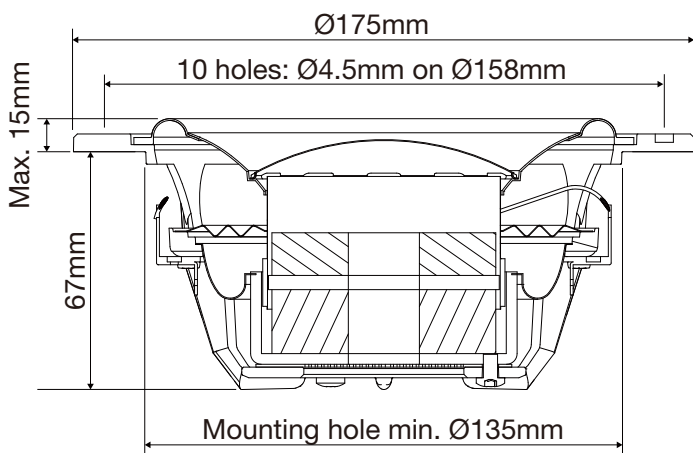
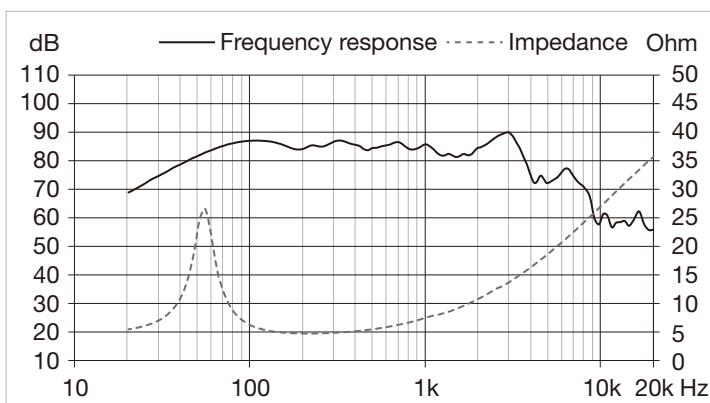
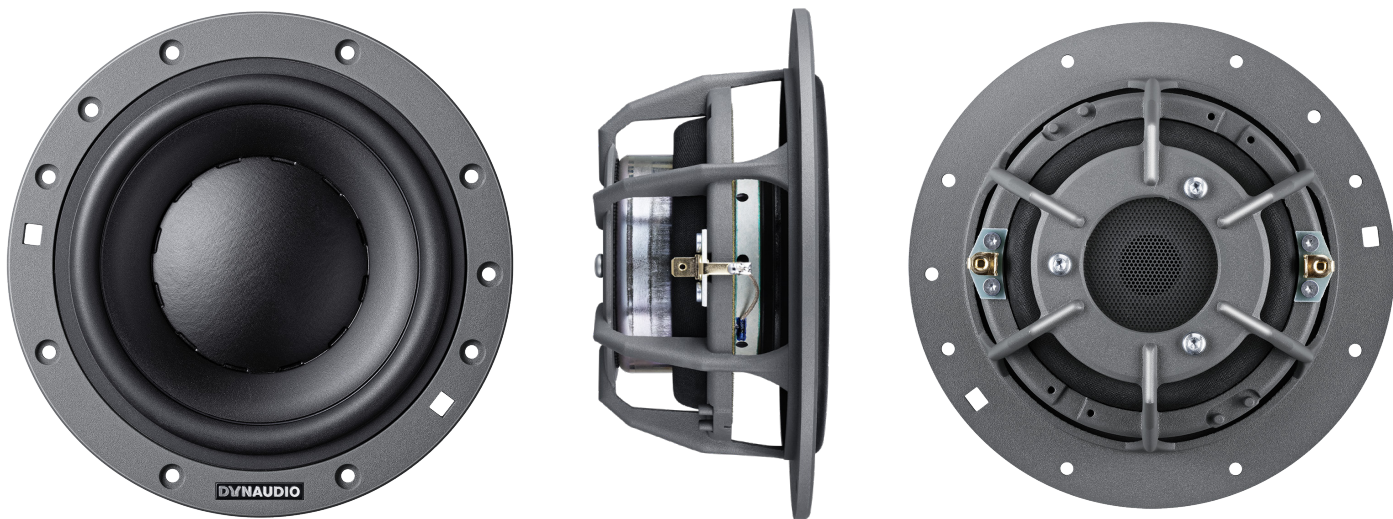
**Supplied without woofer grille**



# Esotan Driver



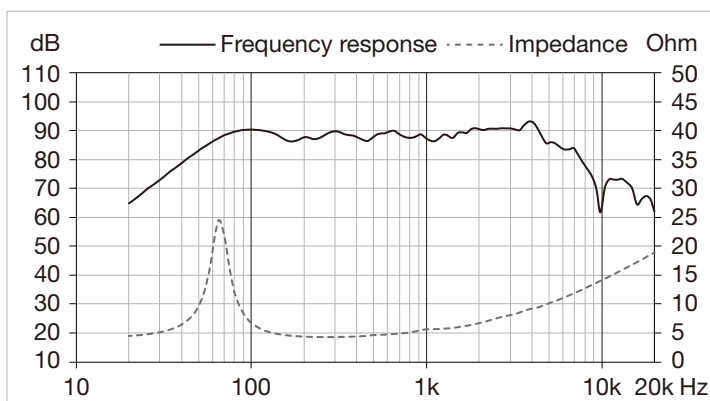
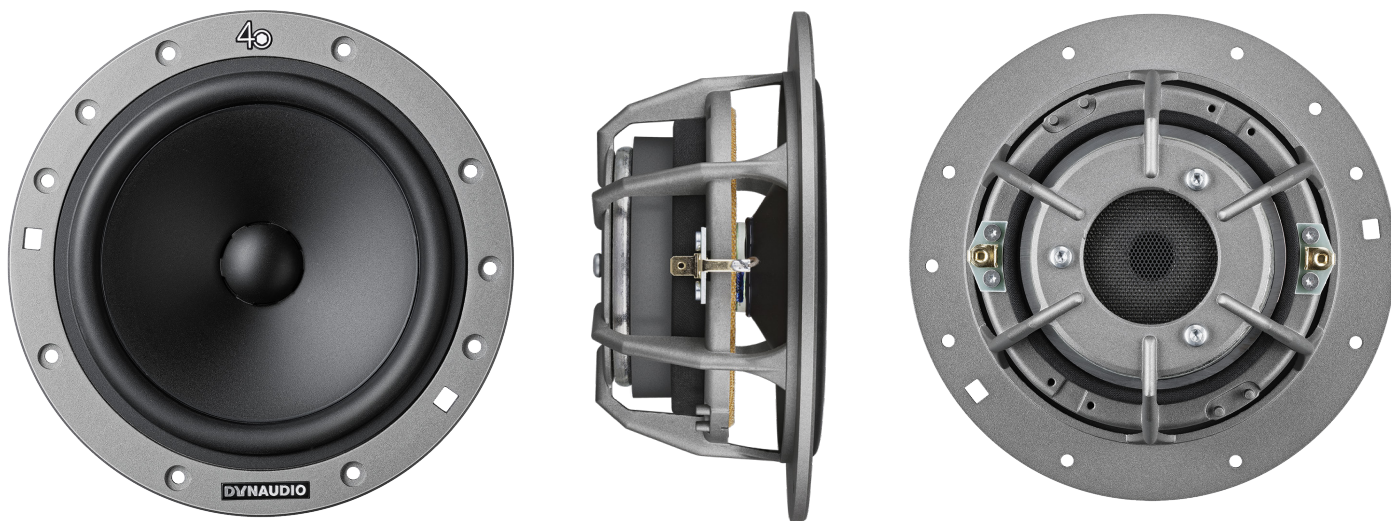
# MF172 MKII Woofer



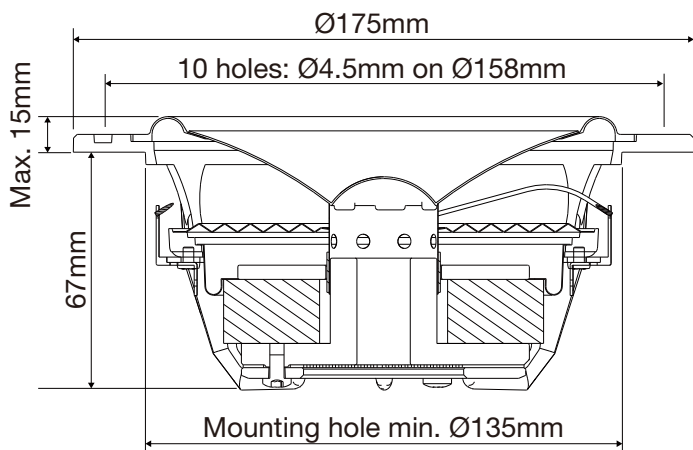
Cone	MSP
Surround	SBR
Sensitivity (1W/1m)	86dB
Nominal long term IEC	150W
Transient (10 ms)	400W
Net weight	1kg
Nominal impedance	4Ω
Re	3.81Ω
Fs	55Hz
Qms	4.135
Qes	0.676
Qts	0.581
Mms	18.164g
Cms	0.449mm/N
Sd	116.9cm <sup>2</sup>
Vas	8.6845l
BL	5.986Tm
Magnet dimension	63x20x18mm
	63x20x12mm
Voice coil diameter	65.5mm
Voice coil height	13.4mm
Max linear excursion	3.0mm
Frequency response	50Hz-3.8kHz



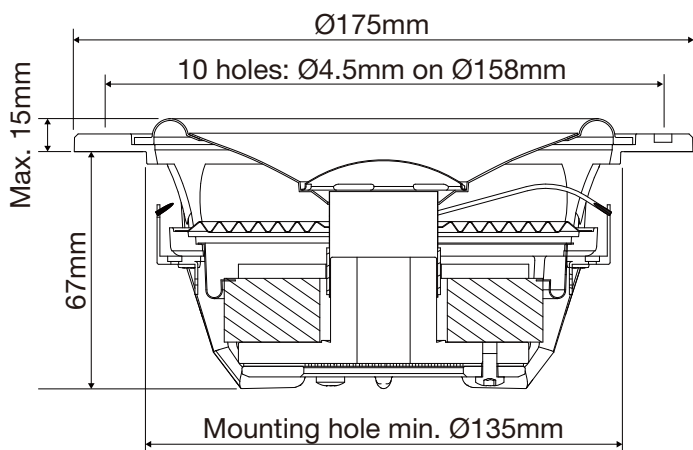
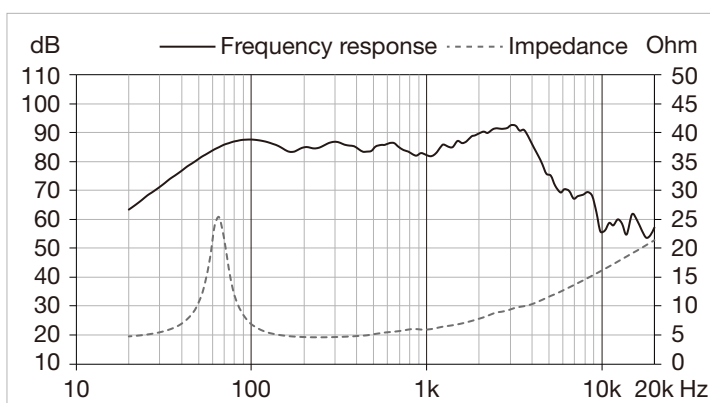
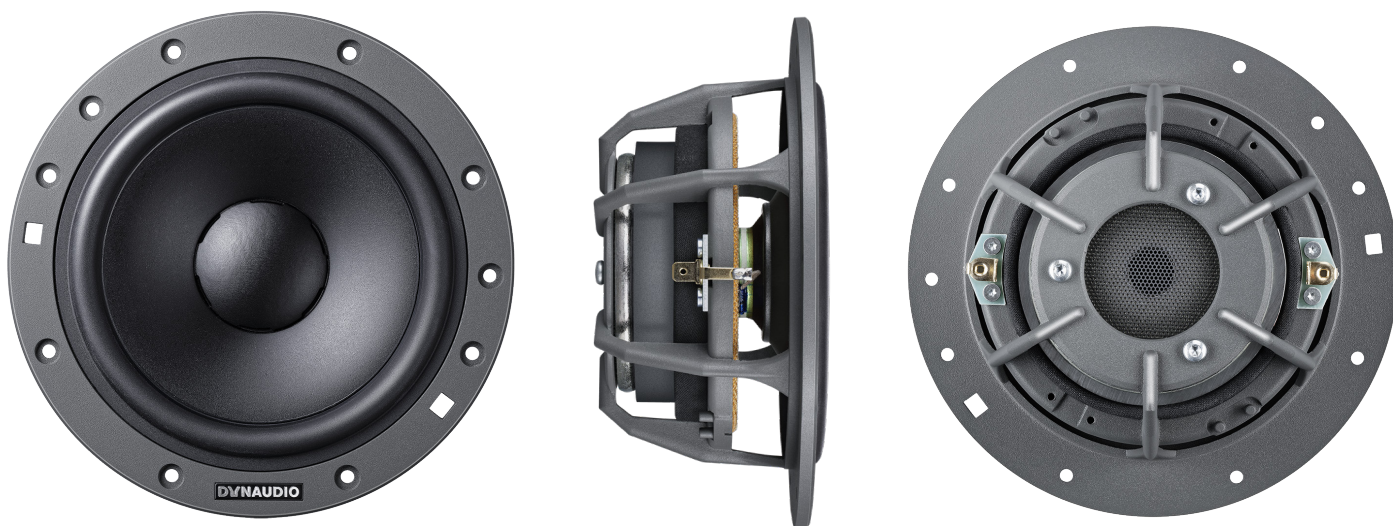
# MF136 MKII Woofer



Cone	MSP
Surround	SBR
Sensitivity (1W/1m)	89dB
Nominal long term IEC	80W
Transient (10 ms)	160W
Net weight	1.2kg
Nominal impedance	4Ω
Re	3.36Ω
Fs	65Hz
Qms	5.003
Qes	0.792
Qts	0.684
Mms	1191g
Cms	0.411mm/N
Sd	116.9cm <sup>2</sup>
Vas	7.9492l
BL	4.778Tm
Magnet dimension	90x36x18mm
Voice coil diameter	30.5mm
Voice coil height	11.3mm
Max linear excursion	3.65mm
Frequency response	60Hz-4.6kHz

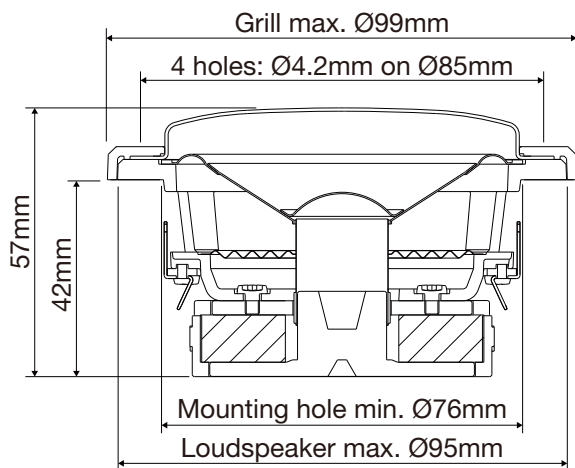
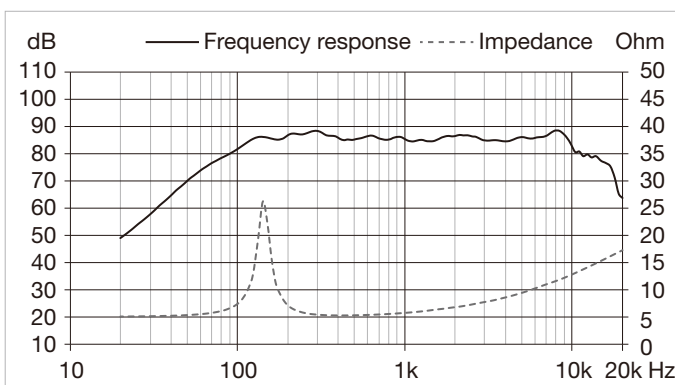


# MF132 MKII Woofer



Cone	MSP
Surround	SBR
Sensitivity (1W/1m)	86dB
Nominal long term IEC	60W
Transient (10 ms)	120W
Net weight	1.2kg
Nominal impedance	4 $\Omega$
Re	3.6 $\Omega$
Fs	65Hz
Qms	4.919
Qes	0.833
Qts	0.713
Mms	12.715g
Cms	0.388mm/N
Sd	116.9cm <sup>2</sup>
Vas	7.5029l
BL	4.976Tm
Magnet dimension	90x36x18mm
Voice coil diameter	30.5mm
Voice coil height	13.2mm
Max linear excursion	3.8mm
Frequency response	60Hz-4.6kHz

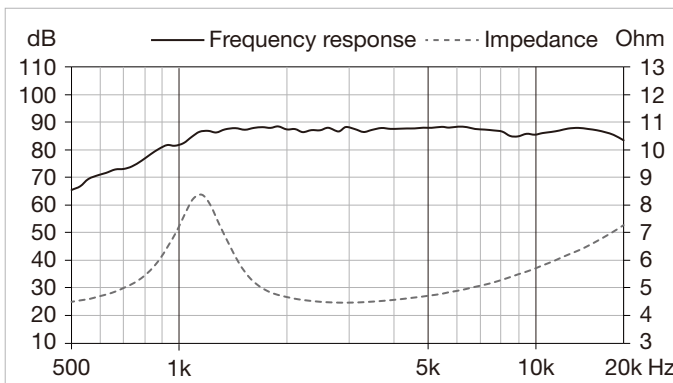
# MF171 MKII Midrange



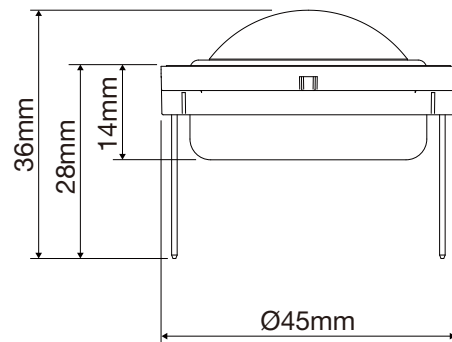
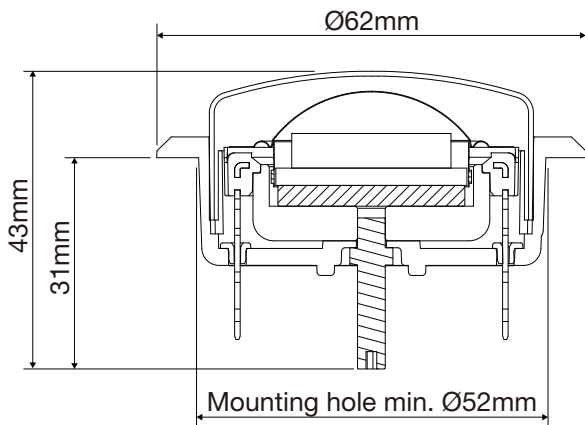
Cone	MSP
Surround	SBR
Sensitivity (1W/1m)	86dB
Nominal long term IEC	40W
Transient (10 ms)	100W
Net weight	0.32kg
Nominal impedance	4Ω
Re	3.69Ω
Fs	150Hz
Qms	6.937
Qes	1.185
Qts	1.012
Mms	2.903g
Cms	0.385mm/N
Sd	33.18cm <sup>2</sup>
Vas	0.6003l
BL	2.973Tm
Magnet dimension	60x24x10mm
Voice coil diameter	19.38mm
Voice coil height	6.5mm
Max linear excursion	1.85mm
Frequency response	120Hz-10kHz



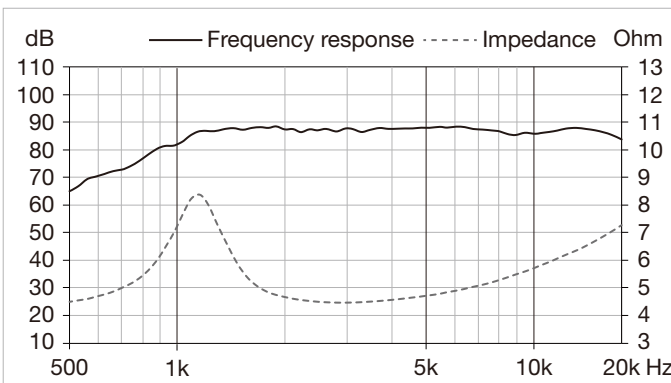
# MT171 MKII Tweeter



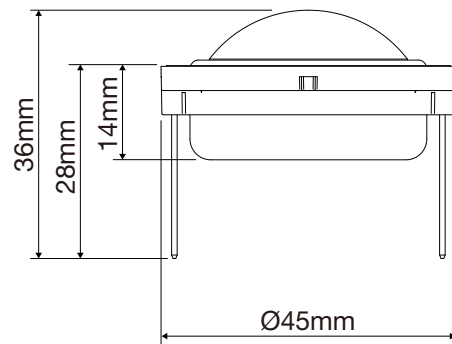
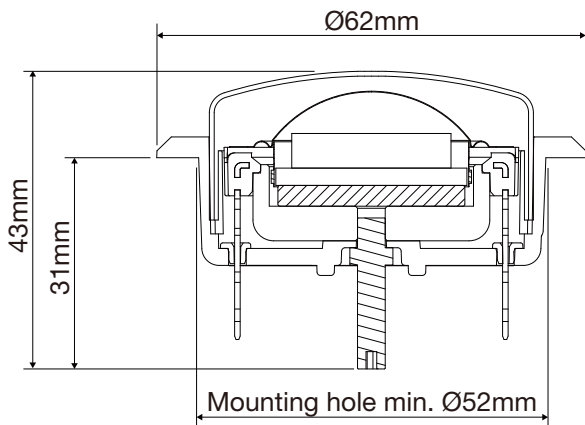
Dome	Coated textile dome
Sensitivity (1W/1m)	86dB
Nominal long term IEC	20W
Transient (10 ms)	100W
Case material	Aluminium
Net weight	0.12kg
Nominal impedance	4Ω
Re	3.7Ω
Fs	1200Hz
Magnet dimension	27x3mm
Voice coil diameter	28mm
Voice coil height	1.9mm
Frequency response	1200Hz-20kHz



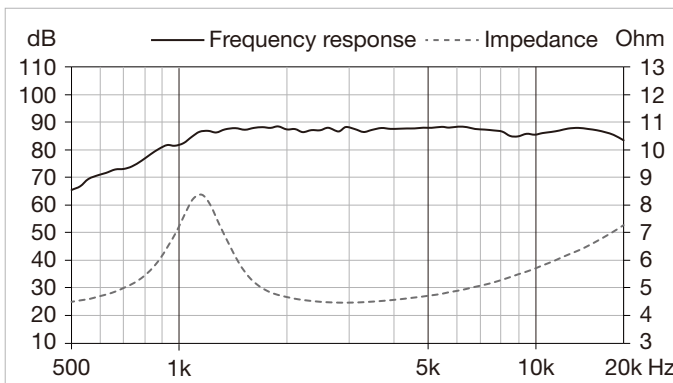
# MT136 MKII Tweeter



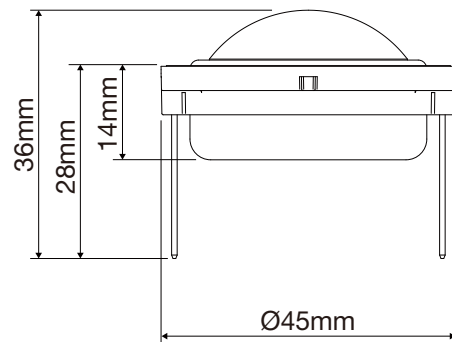
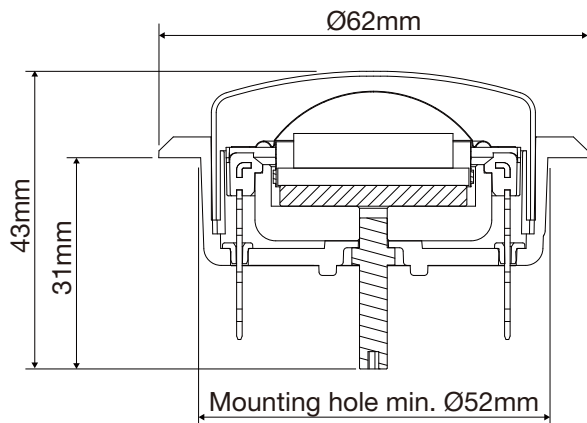
Dome	Coated textile dome
Sensitivity (1W/1m)	86dB
Nominal long term IEC	20W
Transient (10 ms)	100W
Case material	PC with special painting
Net weight	0.13kg
Nominal impedance	4Ω
Re	3.7Ω
Fs	1200Hz
Magnet dimension	27x3mm
Voice coil diameter	28mm
Voice coil height	1.9mm
Frequency response	1200Hz-20kHz



# MT131 MKII Tweeter

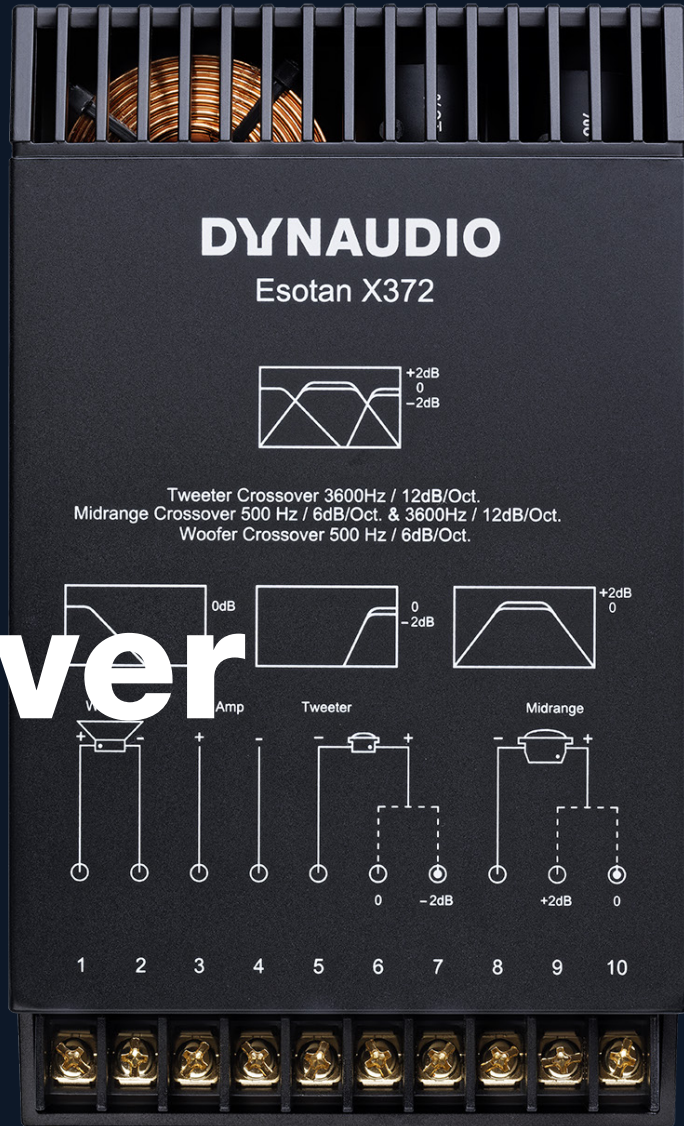


Dome	Coated textile dome
Sensitivity (1W/1m)	86dB
Nominal long term IEC	20W
Transient (10 ms)	100W
Case material	Aluminium
Net weight	0.12kg
Nominal impedance	4Ω
Re	3.7Ω
Fs	1200Hz
Magnet dimension	27x3mm
Voice coil diameter	28mm
Voice coil height	1.9mm
Frequency response	1200Hz-20kHz



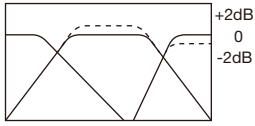
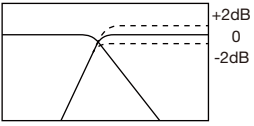
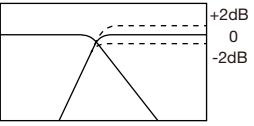
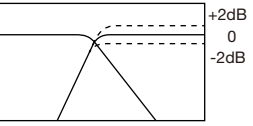


# Esotan Crossover



# Crossovers



	<b>X372</b>	<b>X272</b>	<b>X232</b>	<b>X232</b>
Crossover frequency	500Hz/3.6kHz	3.6kHz	3.6kHz	3.6kHz
Nominal impedance	4Ω	4Ω	4Ω	4Ω
Power handling				
MF172	150W	150W	-	-
MF136	-	-	80W	-
MF132	-	-	-	60W
Dimensions	43x104x175mm	38x84x145mm	38x84x145mm	38x84x145mm
Net weight	0.6kg	0.3kg	0.3kg	0.3kg
Level control				

**DYNAUDIO**

**Dynaudio A/S**  
8660 Skanderborg  
Denmark

[dynaudio.com](http://dynaudio.com)